

# >> Touchpoint Engineering



»» **Application development**


»» **Process development**

»» **Complex engineering**



>> the engineering  
special**ist**.



A solid blue horizontal bar located in the top left corner of the slide.

# >> EX-Zone Integration

> according ATEX

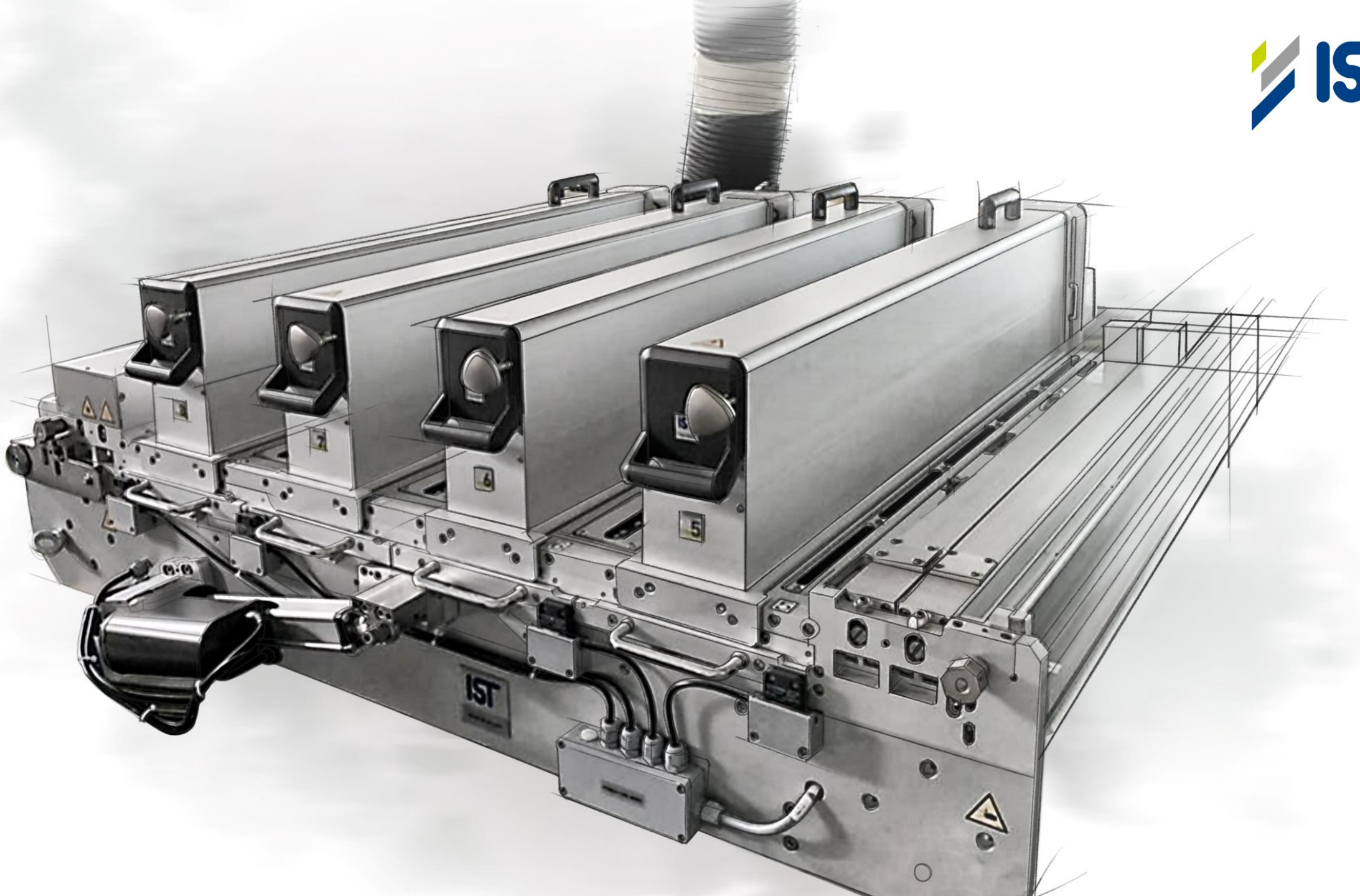


A circular ring of water, captured in a high-speed photograph, set against a blue background with light bokeh. The water is clear and shows intricate textures and reflections.

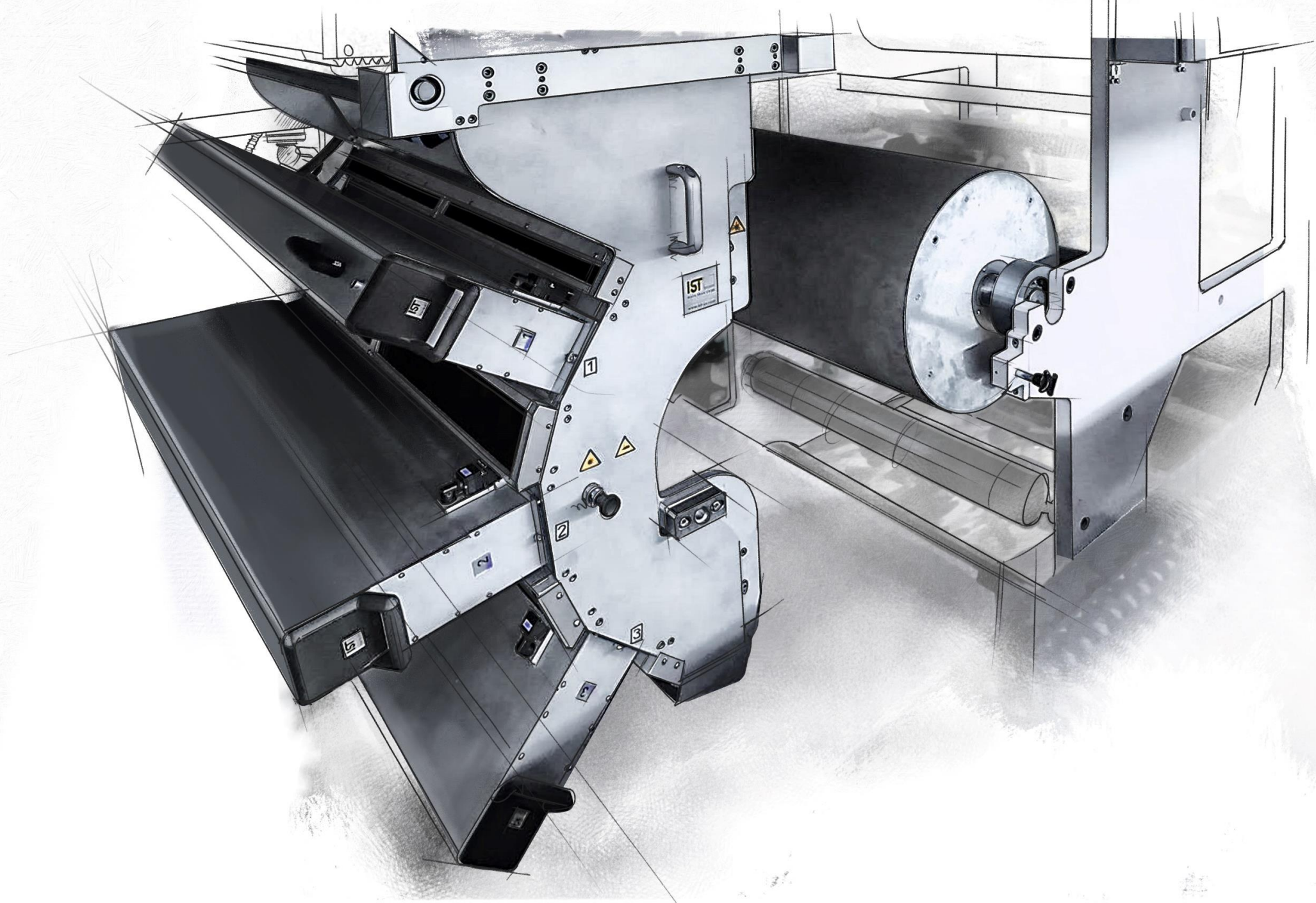
**>> Nitrogen reduced systems**

- **Modular components**
- **Freely configurable**
- **Component toolbox**

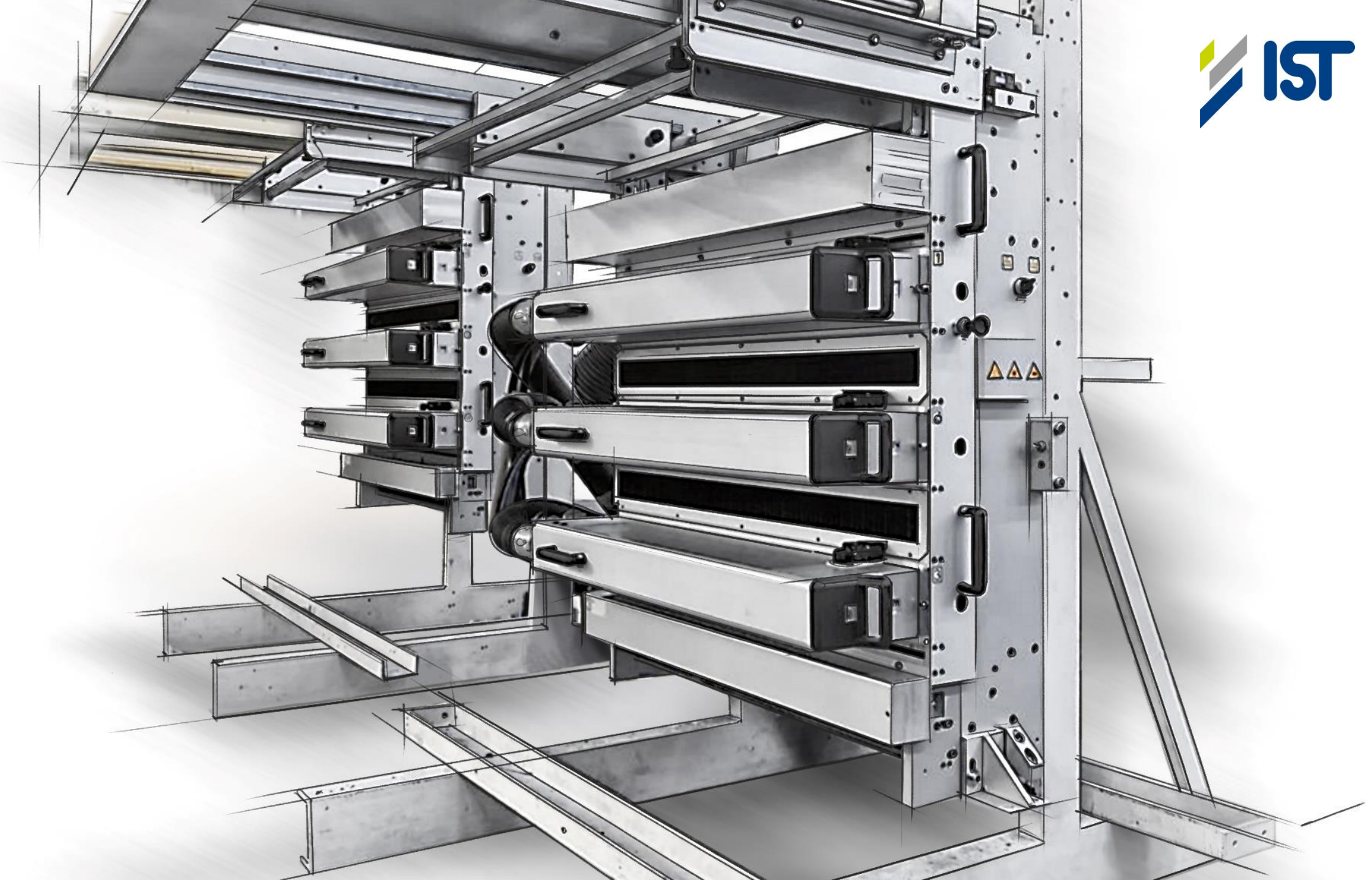




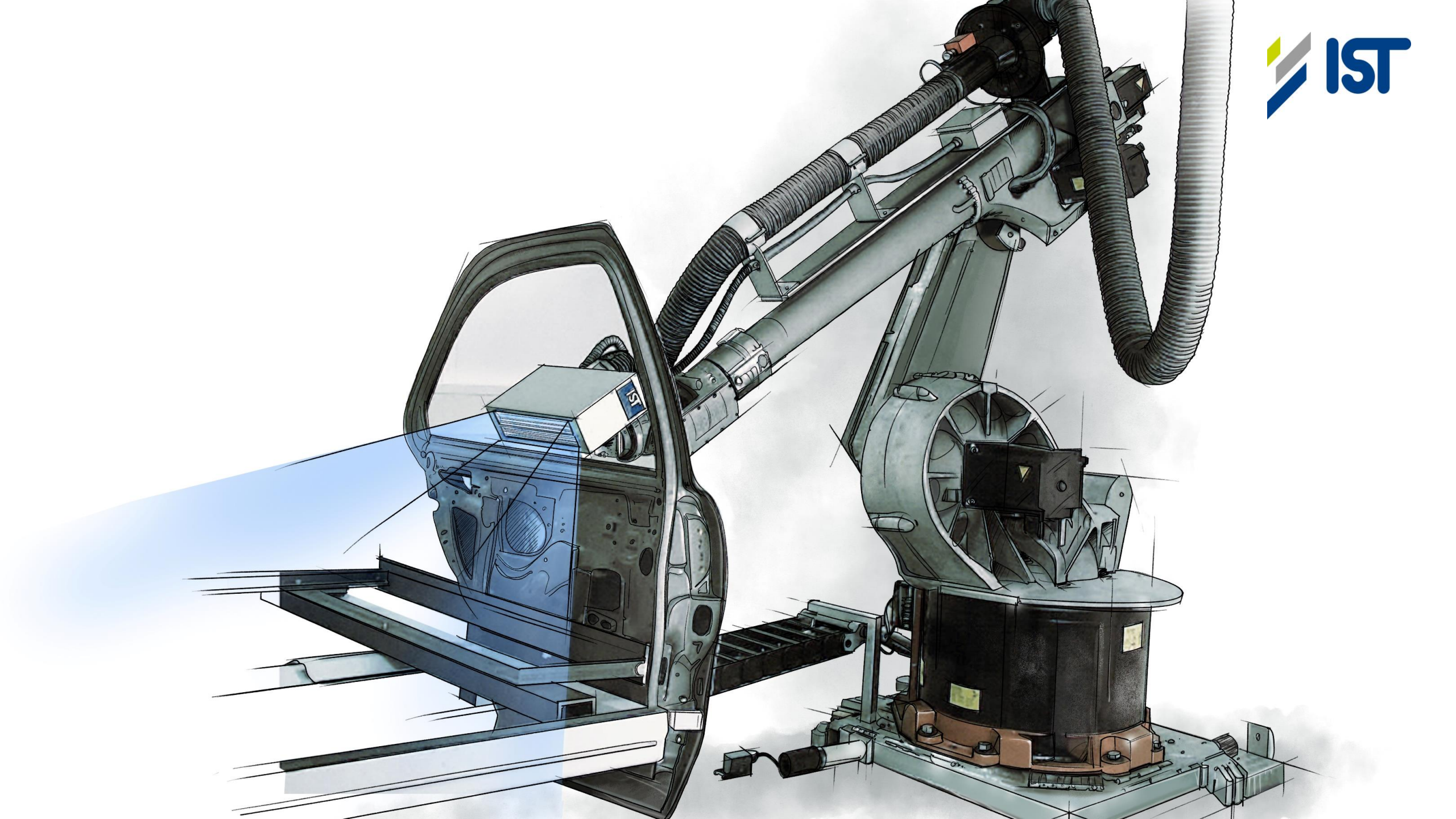




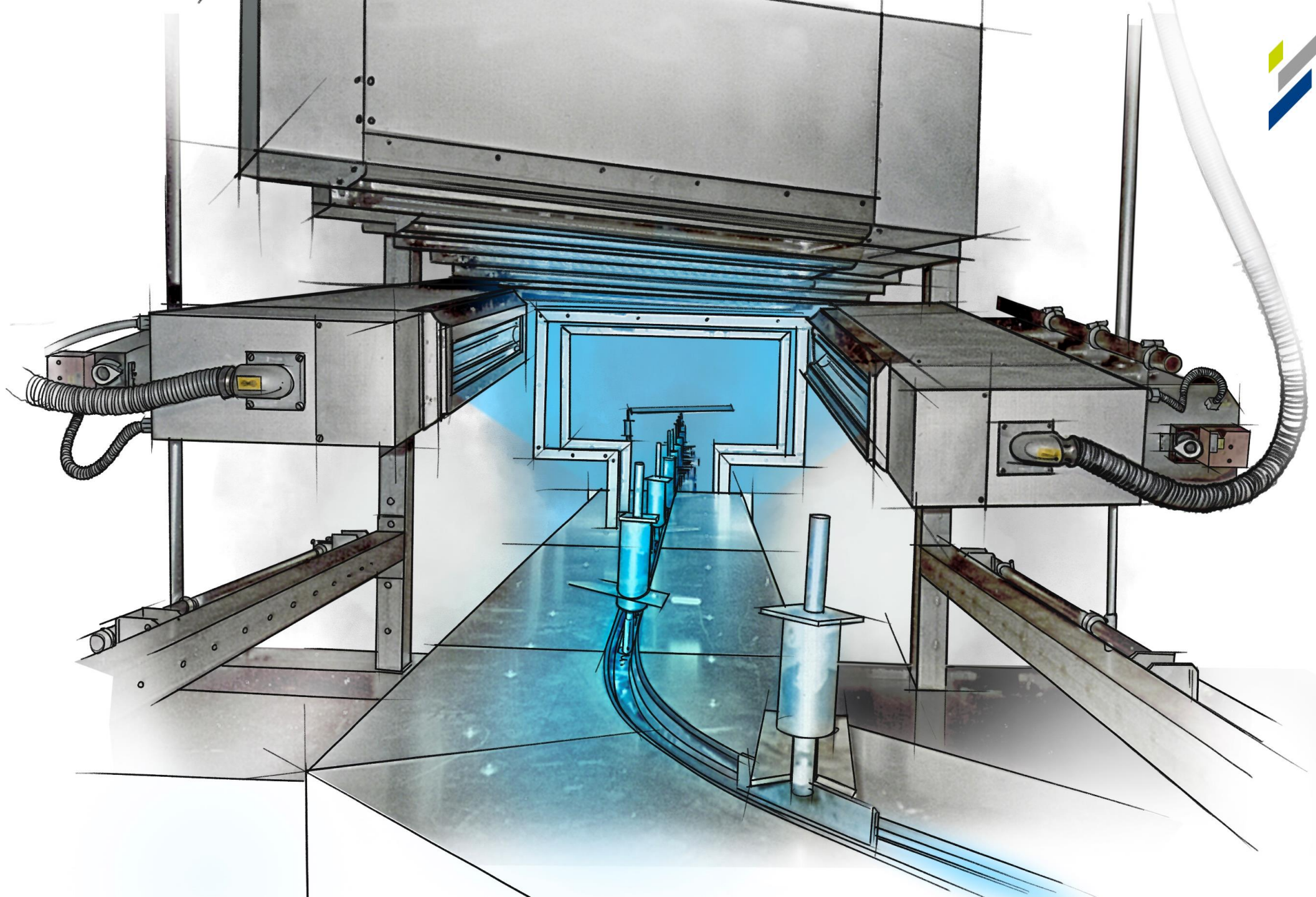




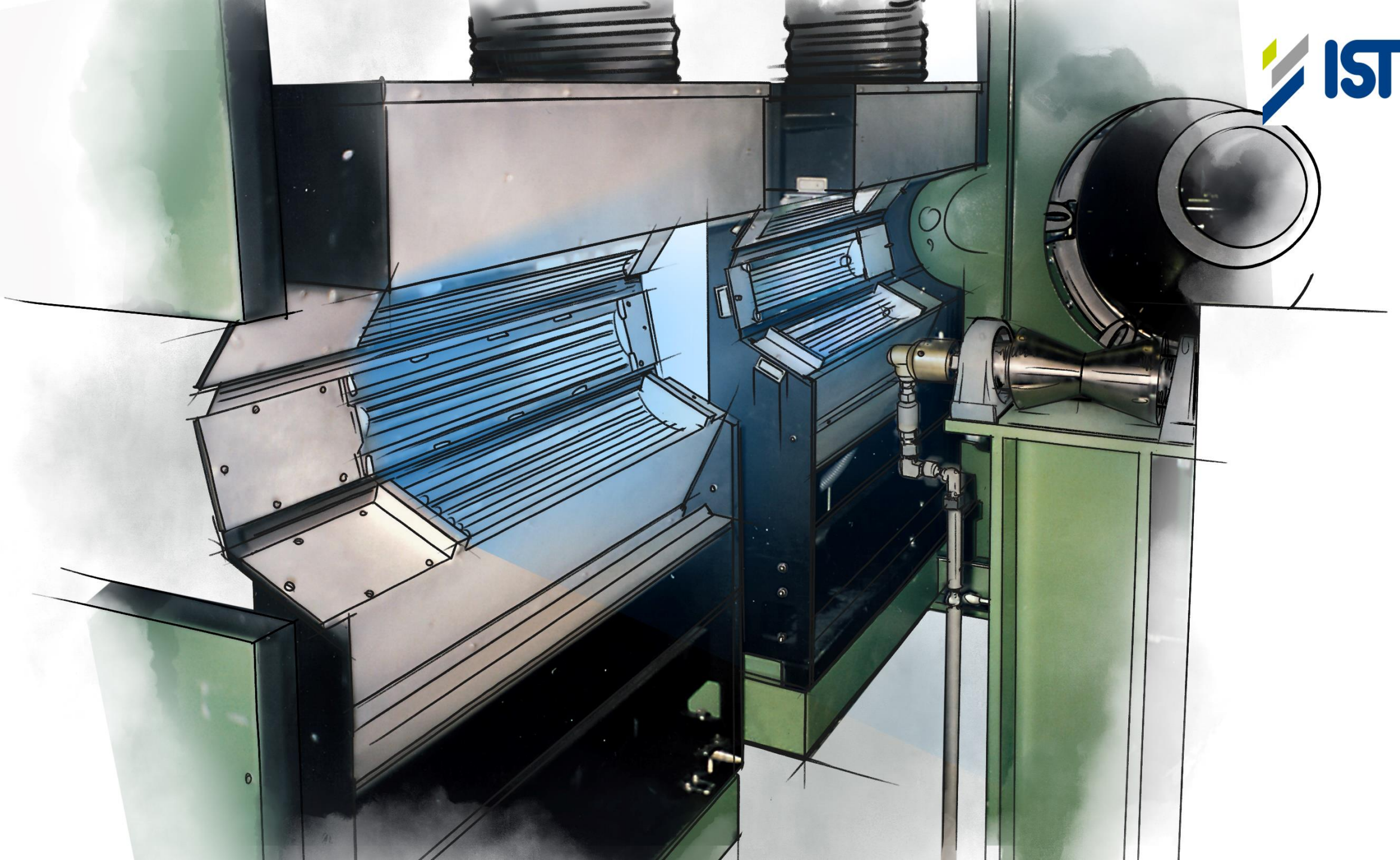














- ✓ ✓ **Light guiding**
- ✓ ✓ **Band pass filter**
- ✓ ✓ **Special light sources**



# >> Curing of 3D-parts

